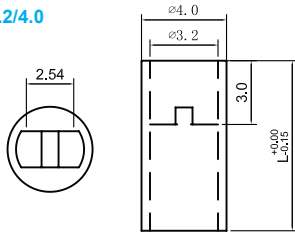


RCCN 日成内双方孔/外双槽孔D-LED隔离柱 Led Spacer

内双方孔
Inner double round slot



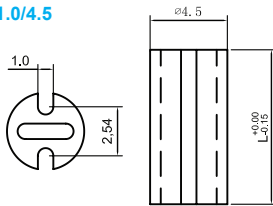
D-LED3.2/4.0



外双槽孔
Outer double slot



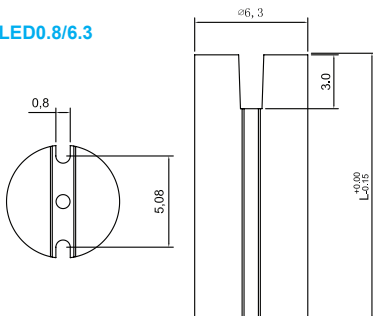
E-LED1.0/4.5



外双槽孔
Outer double slot



F-LED0.8/6.3



材 质:UL合格之NYLON66 (本色)。

功 能:用于保护LED立于PC板,使灯高度一致,中间隔板设计,脚不会弯曲,折断,短路。

防火等级:UL94-V2。

工作温度:-40 ~120 。

标准包装:最小起订量5000pcs/包

Material:UL approved NYLON66 (natural)

Functions:keep LED to hold PC board,

Fireproof:UL94-V2

Operate temperature:-40 ~120

Standard packing:mini.5000pcs/bag

单位/Unit:mm

方孔型号 Round slot item no. 内径/外径/高度 Inner dia./Outer dia./Height	外双槽型号 Outer double slot items 内径/外径/高度 Inner dia./Outer dia./Height	外双槽型号 Outer double slot items 内径/外径/高度 Inner dia./Outer dia./Height
D-LED3.2/4.0-4.5	E-LED1.0/4.5-1.5	F-LED0.8/6.3-4.0
D-LED3.2/4.0-5.0	E-LED1.0/4.5-2.0	F-LED0.8/6.3-4.5
D-LED3.2/4.0-5.5	E-LED1.0/4.5-2.5	F-LED0.8/6.3-5.0
D-LED3.2/4.0-6.0	E-LED1.0/4.5-3.0	F-LED0.8/6.3-5.5
D-LED3.2/4.0-6.5	E-LED1.0/4.5-3.5	F-LED0.8/6.3-6.0
D-LED3.2/4.0-7.0	E-LED1.0/4.5-4.0	F-LED0.8/6.3-6.5
D-LED3.2/4.0-7.5	E-LED1.0/4.5-4.5	F-LED0.8/6.3-7.0
D-LED3.2/4.0-8.0	E-LED1.0/4.5-5.0	F-LED0.8/6.3-7.5
D-LED3.2/4.0-8.5	E-LED1.0/4.5-5.5	F-LED0.8/6.3-8.0
D-LED3.2/4.0-9.0	E-LED1.0/4.5-6.0	F-LED0.8/6.3-8.5
D-LED3.2/4.0-9.5	E-LED1.0/4.5-6.5	F-LED0.8/6.3-9.0
D-LED3.2/4.0-10.0	E-LED1.0/4.5-7.0	F-LED0.8/6.3-9.5
D-LED3.2/4.0-10.5	E-LED1.0/4.5-7.5	F-LED0.8/6.3-10.0
D-LED3.2/4.0-11.0	E-LED1.0/4.5-8.0	F-LED0.8/6.3-10.5
D-LED3.2/4.0-11.5	E-LED1.0/4.5-8.5	F-LED0.8/6.3-11.0
D-LED3.2/4.0-12.0	E-LED1.0/4.5-9.0	F-LED0.8/6.3-11.5
D-LED3.2/4.0-12.5	E-LED1.0/4.5-9.5	F-LED0.8/6.3-12.0
D-LED3.2/4.0-13.0	E-LED1.0/4.5-10.0	F-LED0.8/6.3-12.5
D-LED3.2/4.0-13.5	E-LED1.0/4.5-10.5	F-LED0.8/6.3-13.0
D-LED3.2/4.0-14.0	E-LED1.0/4.5-11.0	F-LED0.8/6.3-13.5
D-LED3.2/4.0-14.5	E-LED1.0/4.5-11.5	F-LED0.8/6.3-14.0
D-LED3.2/4.0-15.0	E-LED1.0/4.5-12.0	F-LED0.8/6.3-14.5
D-LED3.2/4.0-15.5	E-LED1.0/4.5-12.5	F-LED0.8/6.3-15.0
D-LED3.2/4.0-16.0	E-LED1.0/4.5-13.0	F-LED0.8/6.3-15.5
D-LED3.2/4.0-16.5	E-LED1.0/4.5-13.5	F-LED0.8/6.3-16.0
D-LED3.2/4.0-17.0	E-LED1.0/4.5-14.0	F-LED0.8/6.3-16.5
D-LED3.2/4.0-17.5	E-LED1.0/4.5-14.5	F-LED0.8/6.3-17.0
D-LED3.2/4.0-18.0	E-LED1.0/4.5-15.0	F-LED0.8/6.3-17.5
D-LED3.2/4.0-18.5	E-LED1.0/4.5-15.5	F-LED0.8/6.3-18.0
D-LED3.2/4.0-19.0	E-LED1.0/4.5-16.0	F-LED0.8/6.3-18.5
D-LED3.2/4.0-19.5	E-LED1.0/4.5-16.5	F-LED0.8/6.3-19.0
D-LED3.2/4.0-20.0	E-LED1.0/4.5-17.0	F-LED0.8/6.3-19.5
	E-LED1.0/4.5-17.5	F-LED0.8/6.3-20.0
	E-LED1.0/4.5-18.0	F-LED0.8/6.3-20.5
	E-LED1.0/4.5-18.5	F-LED0.8/6.3-21.0
	E-LED1.0/4.5-19.0	F-LED0.8/6.3-21.5
	E-LED1.0/4.5-19.5	F-LED0.8/6.3-22.0
	E-LED1.0/4.5-20.0	F-LED0.8/6.3-22.5
	E-LED1.0/4.5-20.5	F-LED0.8/6.3-23.0
	E-LED1.0/4.5-21.0	F-LED0.8/6.3-23.5
	E-LED1.0/4.5-21.5	F-LED0.8/6.3-24.0
	E-LED1.0/4.5-22.0	F-LED0.8/6.3-24.5
		F-LED0.8/6.3-25.0