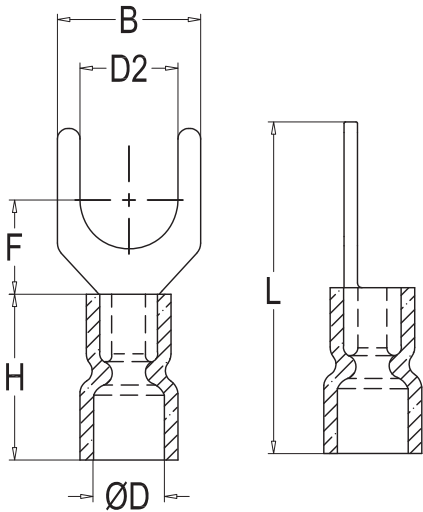


RCCN 日成EYF型易进绝缘端子 EYF Insulated Spade Terminals



说明：本系列配套工具 YYT-1可定制特殊颜色，有起订量要求。

Use note: installed by tool YYT-1 Special Color can be produced with MOQ.

型号 Item No.	尺寸 DIMENSION							颜色 Color
	AWG/mm ² 最大电流 包装	螺栓口直径 Dia. of bolt D2	B mm	L mm	F mm	H mm	D ϕ mm	
EYF1.25-3	22-16 0.5-1.5 19A	3.2mm	5.7	21.2	6.5	10.0	4.3	红 Red
EYFS1.25-3.5		3.7mm	5.7	21.2	6.5			
EYFL1.25-3.5		3.7mm	6.4	21.2	6.5			
EYFS1.25-4		4.3mm	6.4	21.2	6.5			
EYFM1.25-4		4.3mm	7.2	21.2	6.5			
EYFL1.25-4		4.3mm	8.1	21.2	6.5			
EYFS1.25-5		5.3mm	8.1	21.2	6.5			
EYFL1.25-5		5.3mm	9.5	21.2	6.5			
EYFS1.25-6		6.5mm	9.5	21.2	6.5			
EYFL1.25-6		6.5mm	12.0	27.2	11.0			
EYF2-3	16-14 1.5-2.5 27A 1000PCS	3.2mm	5.7	21.2	6.5	10.0	4.9	蓝 Blue
EYFS2-3.5		3.7mm	5.7	21.2	6.5			
EYFL2-3.5		3.7mm	6.0	21.2	6.5			
EYFS2-4		4.3mm	6.4	21.2	6.5			
EYFM2-4		4.3mm	7.2	21.2	6.5			
EYFL2-4		4.3mm	8.1	21.2	6.5			
EYFS2-5		5.3mm	8.1	21.2	6.5			
EYFL2-5		5.3mm	9.5	21.2	6.5			
EYFS2-6		6.5mm	9.5	21.2	6.5			
EYFL2-6		6.5mm	12.0	27.2	11.0			
EYF3.5-3	14-12 2.5-4 37A 500PCS	3.2mm	5.7	24.8	7.0	13.5	6.2	黑 Black
EYF3.5-4		4.3mm	8.0	24.8	7.0			
EYF3.5-5		5.3mm	8.0	24.8	7.0			
EYF3.5-6		6.5mm	12.0	28.0	12.1			
EYF5.5-3.5	12-10 4-6 48A 500PCS	3.7mm	8.3	25.2	7.5	13.5	6.7	黄 yellow
EYFS5.5-4		4.3mm	8.3	25.2	7.5			
EYFL5.5-4		4.3mm	9.0	26.0	7.5			
EYF5.5-5		5.3mm	9.0	26.0	7.5			
EYFS5.5-6		6.5mm	9.0	26.0	7.5			
EYFL5.5-6		6.5mm	12.0	31.2	12.0			
EYF5.5-8		8.4mm	14.0	30.0	11.5			

